



INFORMATION REPORT

Date: 29 May 2019

Object:

- Exchange of the fuel inlet filter on the Tanarg and Skypper tanks.

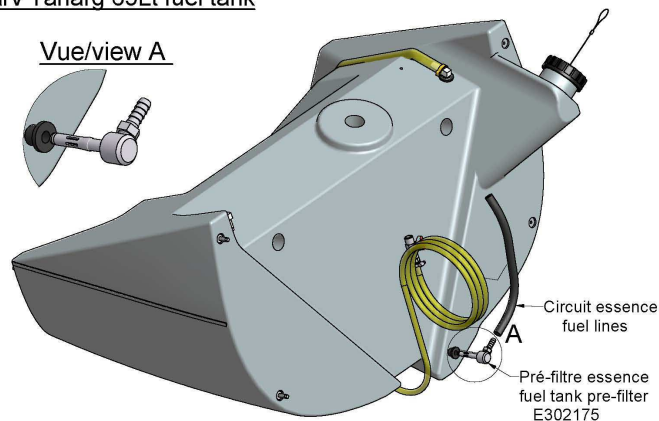
Concerned Aircraft:

- Skypper and Tanarg Trikes whose inlet filters have for serial number : **E302175-1706 and E302175-1812.**

Inspection and action to be taken :

- Due to a quality defect in a series of Ø4-10 aluminum / steel rivets that close the end of the gas inlet filter, we noticed during a preparation of a subassembly that the steel rod head of the rivet did not fit sufficiently in the aluminum part and could become detached from it, creating a mobile obstacle that could disrupt the fuel supply. We performed tests with a rivet whose head was detached without encountering any problem. However, to eliminate any risk, we recommend replacing the inlet filter. A new model whose inlet has been closed by welding and mounting instructions will be provided. This inlet filter is recognizable by the letter B struck on the back.

Réservoir 65Lt arv Tanarg
arv Tanarg 65Lt fuel tank



Réservoir 55Lt LST Skypper
LST Skypper 55Lt fuel tank

