

## SERVICE BULLETIN

### KAIR12006 – Crossbars Wings BioniX - NuviX

**Date :** 19 november 2012

**Subject :**

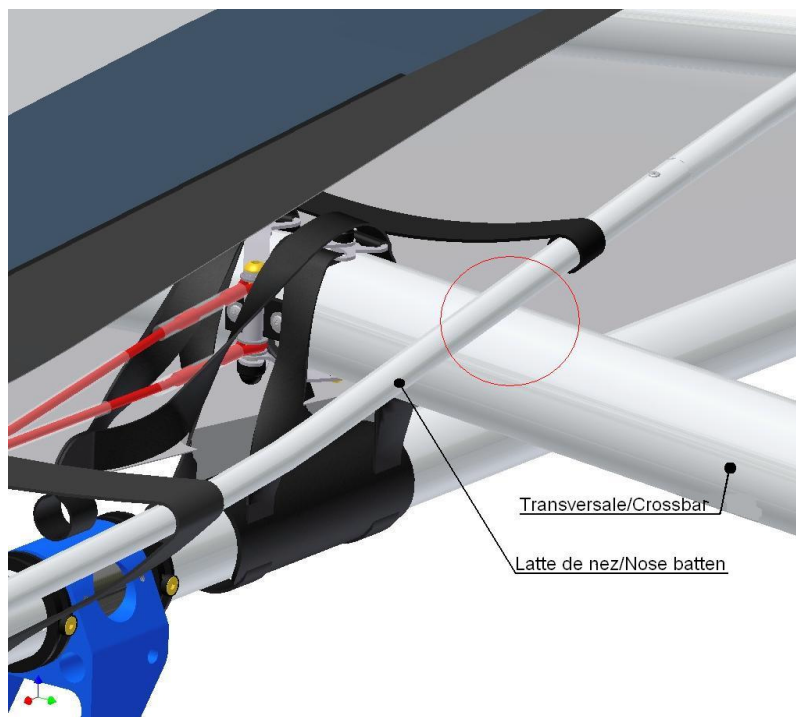
- Check condition of crossbars where in intermittent contact with nose battens.

**Aircraft concerned:**

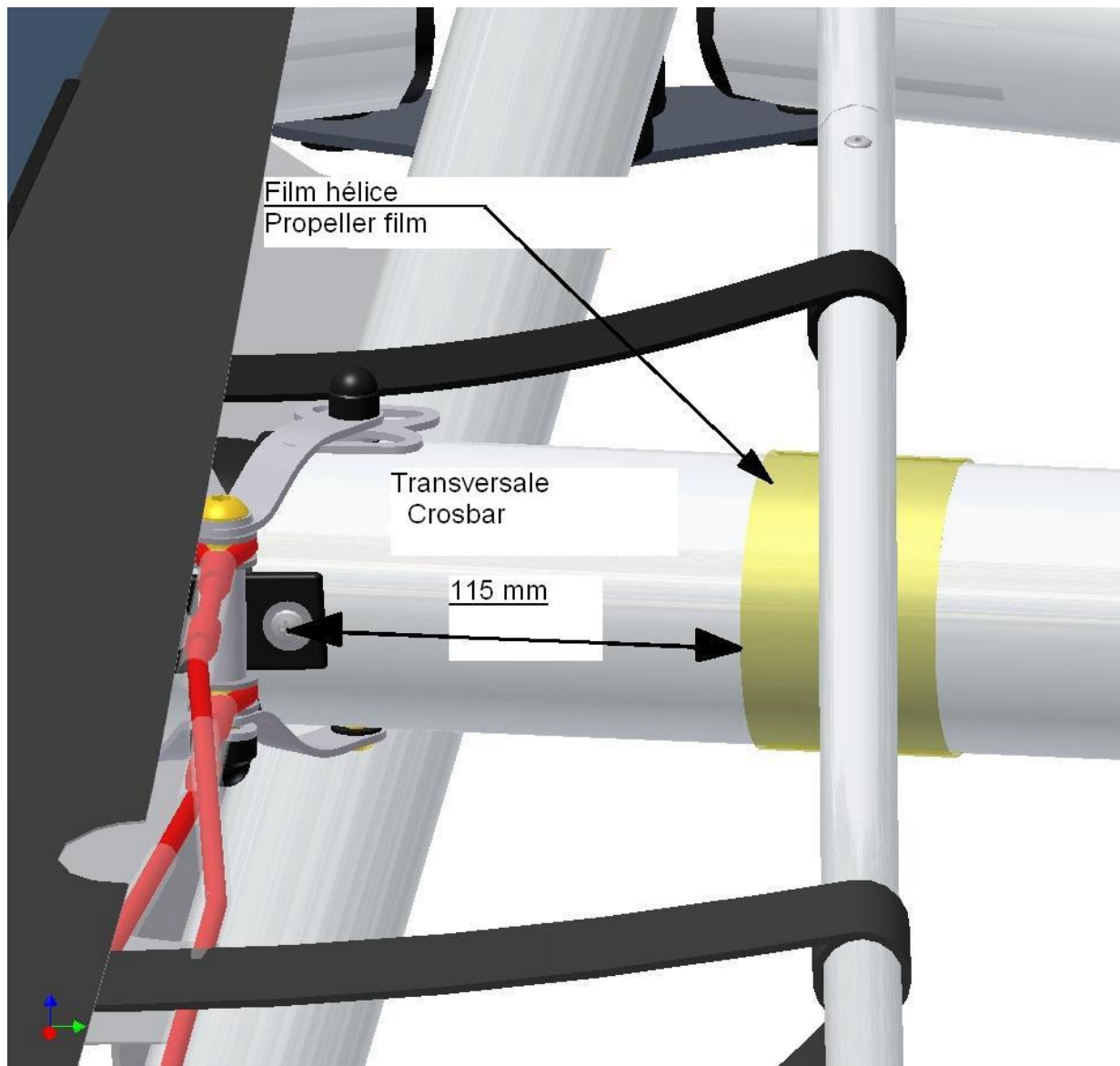
- All versions of wings BioniX 15 and NuviX

**Inspection action items:**

- Check that the crossbars show no marks from rubbing against the nose battens, friction usually taking place in ground run.
- In case of wear, take a photo of the marks on the crossbars and contact Air Creation to learn the action to be taken.
- A protective measure is available. Its installation is recommended on all wings even in the absence of marks on the crossbars.
- At the 300-hour overhaul, the replacement of the 25mm belt #1 (ref. D074348) is mandatory and its replacement with a wider 50mm belt that provides the necessary protection between the nose battens and the crossbars. This new belt may be ordered under reference D074348-3.



## Installation of protective film.



- Prepare a piece of polyurethane propeller film 235mm long by 50mm wide.
- Clean the crossbars near the nose battens with a humid cloth and let dry.
- Stick the propeller film to each half-crossbar as shown on the drawing above..